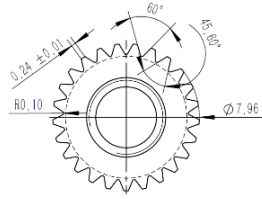
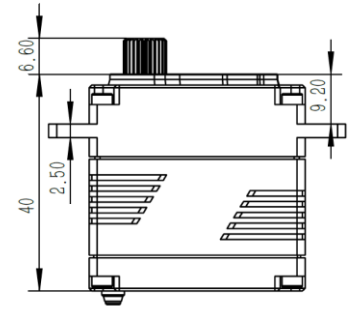
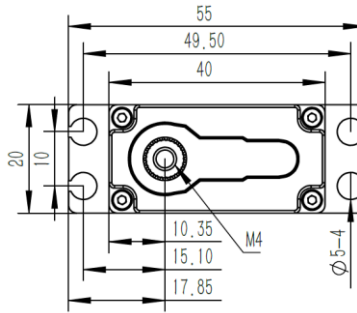


HV7010 Technical Specification



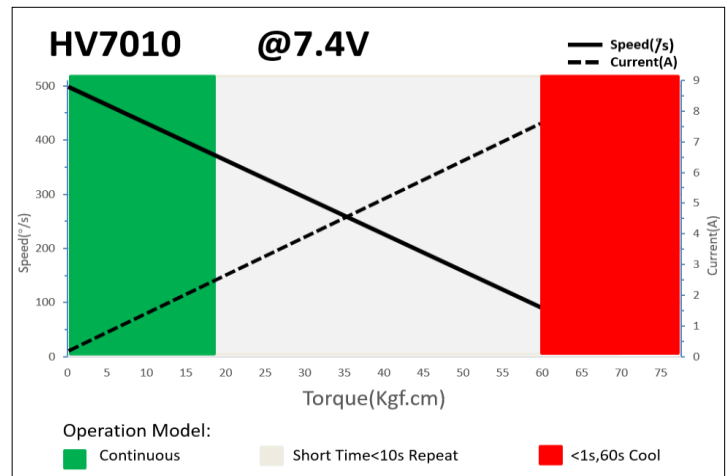
8mm25T Output Shaft Spline



1. Operating Data

HV7010	
Rated Voltage	DC7.4V
Voltage Range	DC6.0V-8.4V
Torque	50Kgf.cm@6.0V
	60Kgf.cm@7.4V
	70Kgf.cm@8.4V
Speed	0.15sec/60°@6.0V
	0.12sec/60°@7.4V
	0.10sec/60°@8.4V
Stalling Current	6.25A@6.0V
	7.52A@7.4V
	8.38A@8.4V
Working Frequency	1520us/333Hz
Default Travel Angle	±100° =200° Total
Temperature Range	-10°C.....+65°C
Soft Start	Yes
Programmable	Yes
Case Material	Aluminum Alloy
Motor Type	4 pole Brushless DC Motor
Gear Set Material	Hardened Steel
Position Sensor	Contactless
Ball Bearing	6BB
Case Dimensions	40mm*20mm*40mm±0.2mm
Weight	80g±10%

2. Performance



3. Command signal PWM Command Interface

Signal Voltage	HIGH: min.3.3V, max.5.0V Low: min.0.0V, max.1.5V
Pulse Lengths	500us-2500us
Pulse Lengths for Position	500us/1500us/2500us
	-100°/ 0°/+100°

4. Electrical Connection

Pin	Pin Assignment		
	1	Orange	Signal
2	Red	DC+	Supply Voltage
3	Brown	DC-	Supply Ground