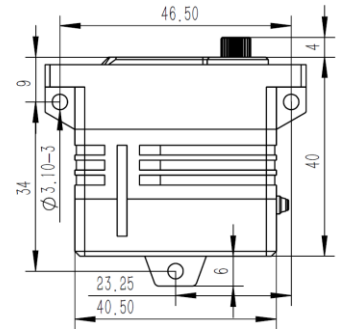
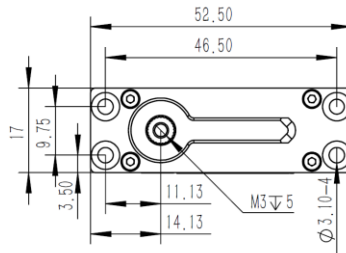
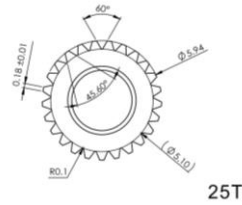


SV7511 Technical Specification

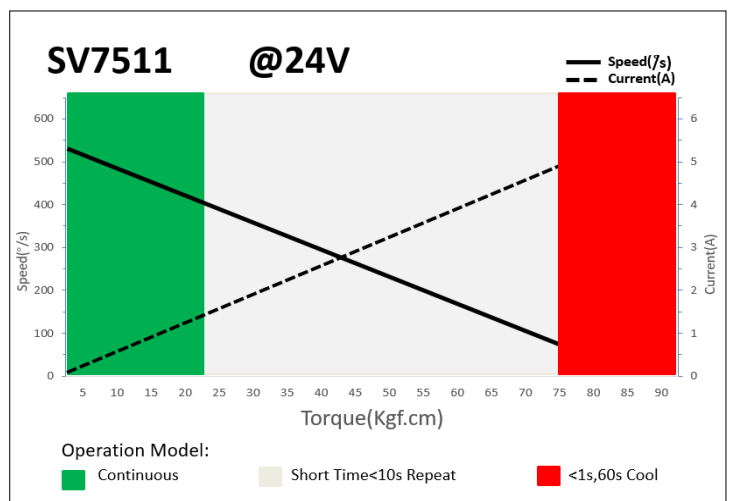


25T 6mm Output Shaft Spline

1. Operating Data

Rated Voltage	DC24V
Voltage Range	DC22V-28V
Torque	65Kgf.cm@22V
	75Kgf.cm@24V
	80Kgf.cm@28V
Speed	0.12sec/60°@22V
	0.11sec/60°@24V
	0.10sec/60°@28V
Stalling Current	4.95A@22V
	5.25A@24V
	5.85A@28V
Working Frequency	1520us/333Hz
Default Travel Angle	±60° =120° Total
Temperature Range	-10°C+65°C
Soft Start	Programmable
Programmable	Yes
Case Material	Aluminum Alloy
Motor Type	4 Pole Brushless DC Motor
Gear Set Material	Hardened Steel
Position Sensor	Potentiometer
Ball Bearing	2BB
Case Dimensions	40.5mm*17mm*40mm±0.2mm
Weight	68g±10%

2. Performance



3. Command signal PWM Command Interface

Signal Voltage	HIGH: min.3.3V, max.5.0V Low: min.0.0V, max.1.5V
Pulse Lengths	900us-2100us
Pulse Lengths for Position -50°/0°/+50°	1000us/1500us/2000us

4. Electrical Connection

Pin	Pin Assignment		
	1	Brown	DC-
2	Red	DC+	Supply Voltage
3	Orange	Signal	PWM Command
4	White	FB	Feedback PWM